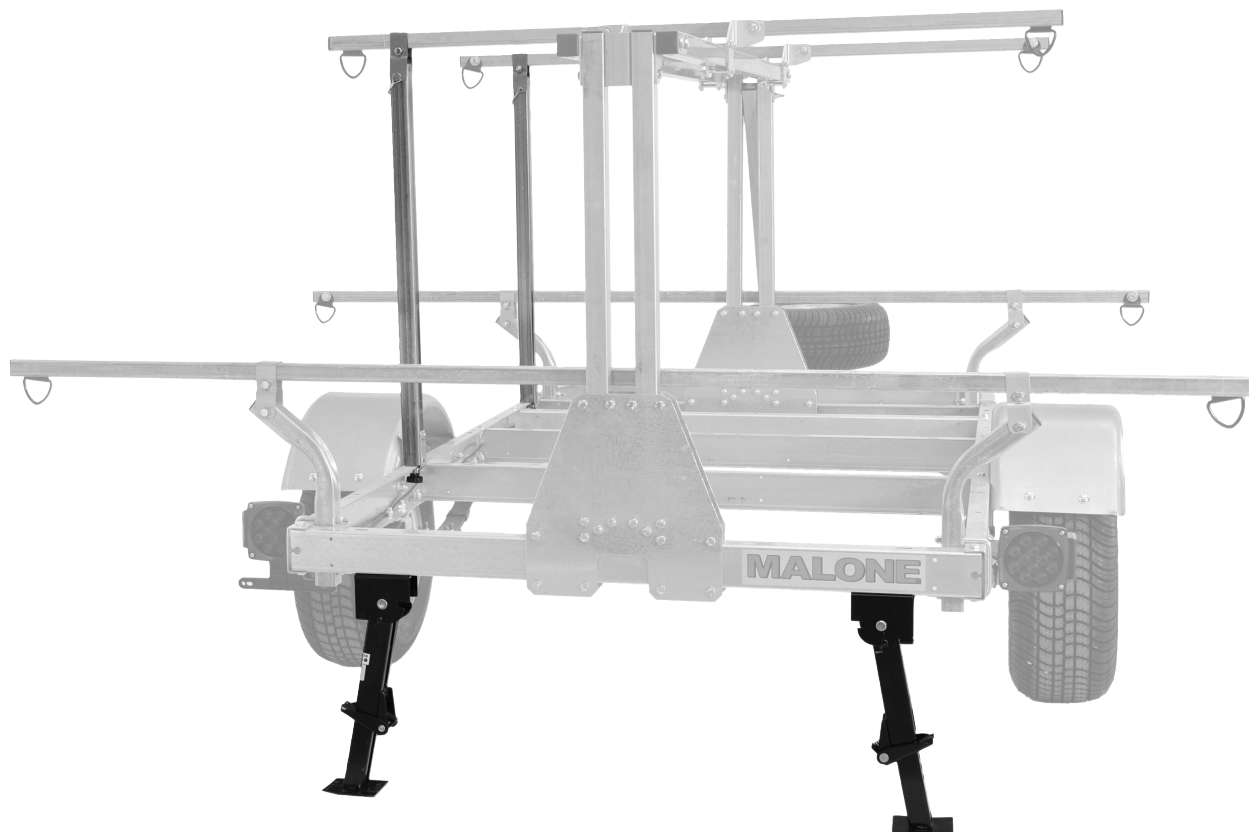


MALONE[®]

CHANGING THE WAY YOU GET THERE

MEGASPORT[™] TENT SUPPORT PACKAGE



REAR STABILIZERS & VERTICAL SUPPORTS



MALONE[®]

CHANGING THE WAY YOU GET THERE

Important Note

Product Warranty & Registration Form

All information is confidential and used exclusively by MALONE only.

Dear Customer,

Thank you for your purchase of a Malone Product.

In order to be eligible for the Malone Warranty program, we ask that you contact us online at the link provided below: With-in 30 days of purchase. You can also mail this letter back to the address at the bottom.

- Online: <https://maloneautoracks.com/product-registration.php>

We will require the information below.

Here is the information collected:

First Name: _____

Last Name: _____

Address: _____

Address2: _____

City: _____

State: _____

Zip: _____

Country: _____

Email: _____

Phone: _____

Product Description/Name: _____

Product MPG# _____

Date Purchased: _____

Store Where Purchased: _____

Purchase Price: _____

Thank you for choosing Malone!

MALONE[®]

CHANGING THE WAY YOU GET THERE

MEGASPORT[™] OVERLAND STABILIZERS

2 Stabilizer Jack Stands are mounted to the trailers rear cross member for optimal support of the added weight of the tent and its occupants.

NOTE: If trailer is not attached to the vehicle, wheel blocks should be used to prevent movement of the trailer.

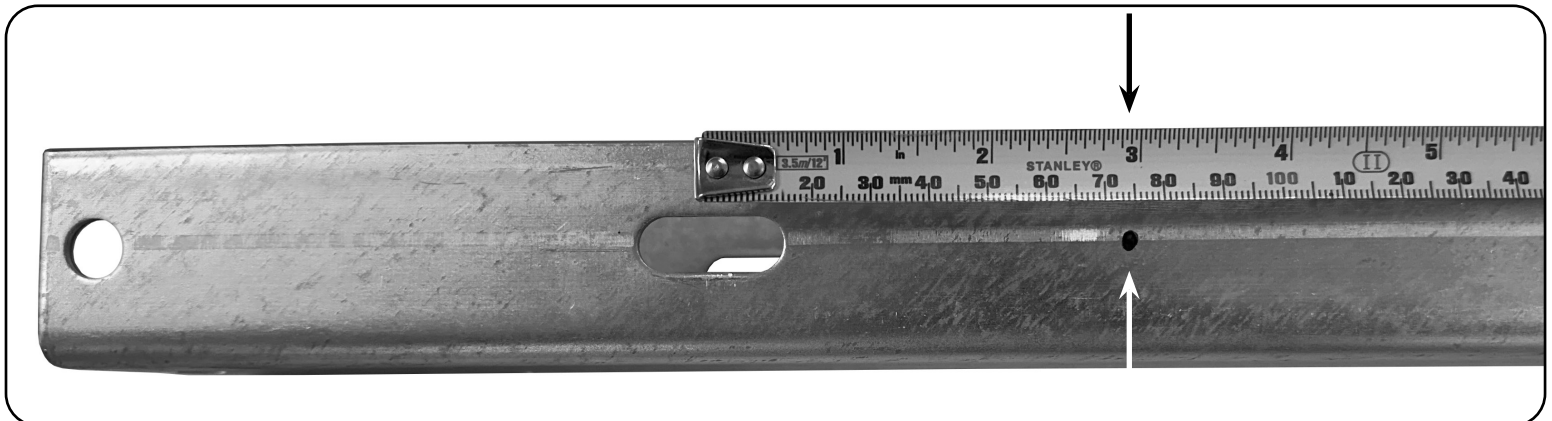
Installation can be done during, or after assembly of the trailer.



As pictured below locate the pre-drilled hole in each corner of the trailers rear cross member. Measure and mark 3" from the center of said hole as shown on the bottom edge of the cross member.

Using a 3/8" drill bit (for metal) drill the required second mounting hole for the stabilizer. Repeat on the other end of the cross member for the second stabilizer.

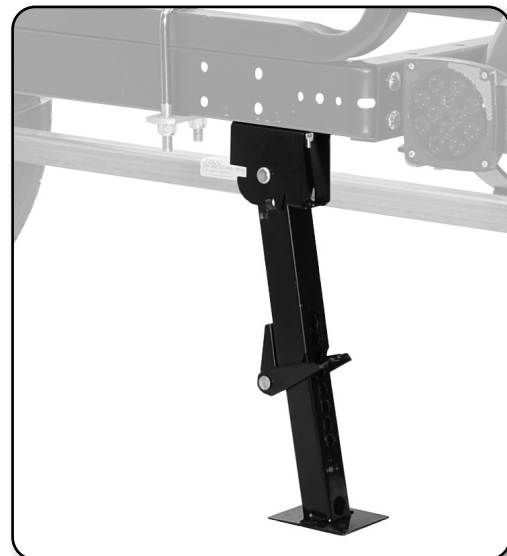
NOTE: Some trailers may have this mounting hole pre-drilled for you.



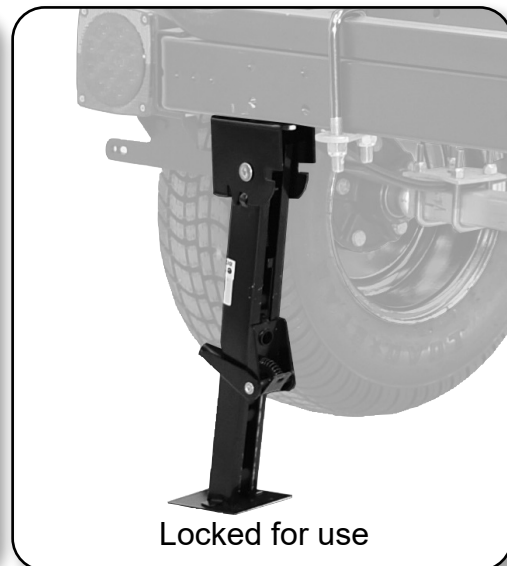
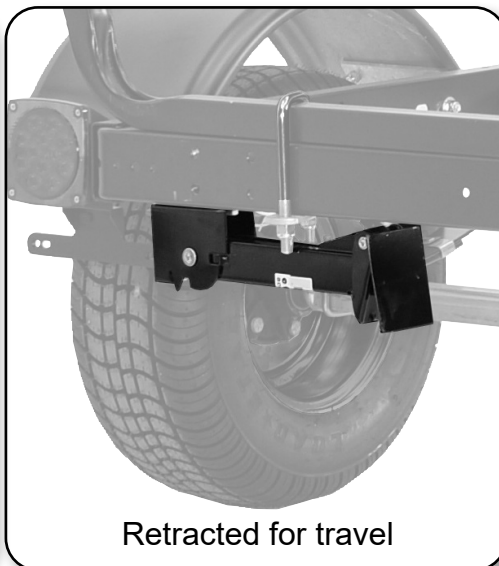
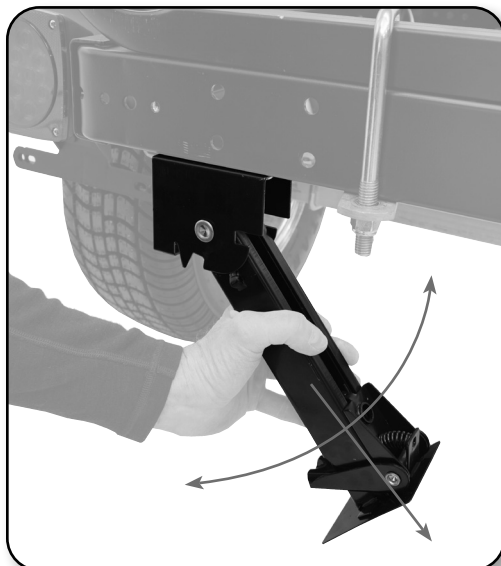
Align the mounting holes of the stabilizer to the newly drilled and pre-drilled holes in the trailer.

Use the provided hardware to secure the stabilizers. Place the nut and washer on the inside of the trailer frame. Tighten fully.

Note: Some installs may require a 1/4" spacer between the frame and the mounting surface. →

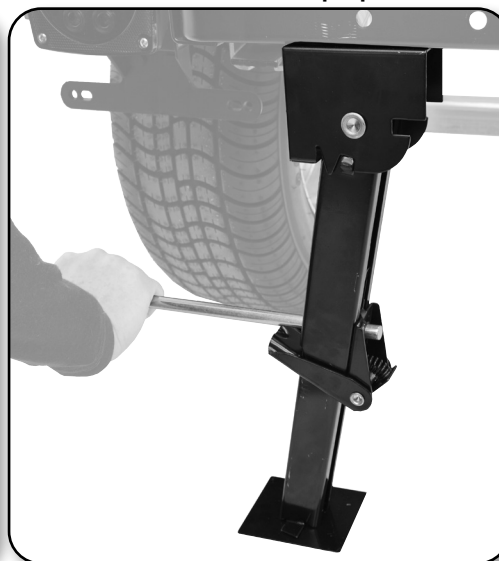


Raising and Lowering the Stabilizer:
Firmly grab the stabilizer and pull outwards or downwards to release the stabilizer and pivot into desired position.



Press the brake lever to lower the telescoping section.
Press down with the crowbar so that the stabilizer is pressed and locked.

Press the brake lever to raise the telescoping section.
Make sure the stabilizer is in the 'up' position before traveling.



MALONE[®]

CHANGING THE WAY YOU GET THERE

VERTICAL SUPPORTS

2 Vertical support tubes are secured to the second tier and trailer frame for optimal support of the added weight of the tent and its occupants.

NOTE: If trailer is not attached to the vehicle, wheel blocks should be used to prevent movement of the trailer.

First assemble the base of the vertical support as shown with bolts going through both brackets securing them to the base of the upright.

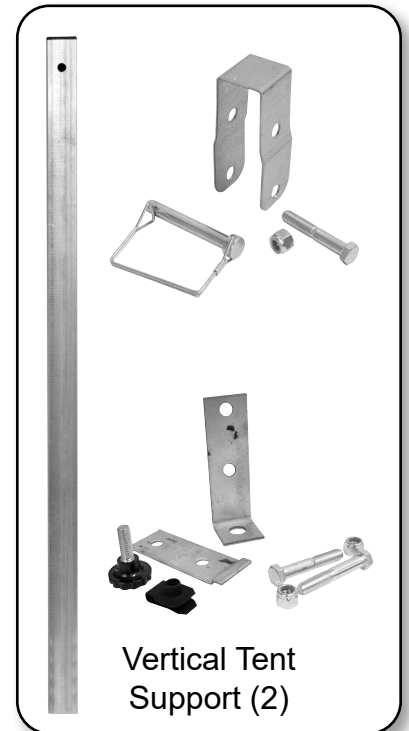
Slide the Clip-Nut over the bottom as shown allowing the hand knob screw in - upwards.

Install the support tube bracket over the second tiers load bar. Insert the bolt and nut, leave loose. Align over the frame rail below.

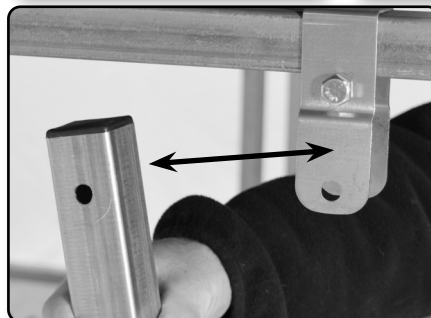
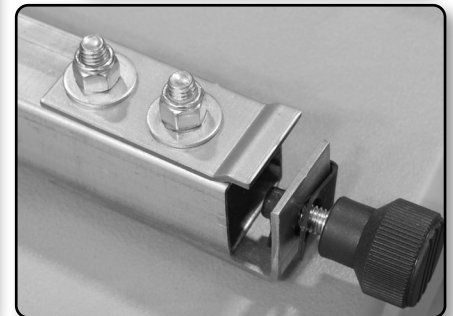
At the bottom, make sure the hand knob is loose and slide the support tube base over the trailers frame as shown.

Align the top to the support bracket and insert the retainer pin and secure. Hand tighten the knob at the bottom fully, and complete by fully tightening the top bolt and nut.

NOTE: the support will need to be removed when transport a kayak. to remove: loosen the hand knob and remove the safety pin. The bracket will remain in place.



Vertical Tent Support (2)



NOTE: Vertical supports must be used when entering assembled tent.



Trailer Wheel chock (4)



Tongue Jack Caster-wheel chock (1)

NOTE: When trailer is not attached to the vehicle, wheel chocks should be used to prevent movement of the trailer. Place one chock on each side of the trailers tires. Use the round donut chock for the Jack Stand caster wheel. See photo below.



MALONE

CHANGING THE WAY YOU GET THERE

Limited Five (5) Year Warranty

The Malone Auto Racks (Malone) Limited 5 Year Warranty covers certain Malone-brand products that have been specifically identified for inclusion in the program. This warranty is in effect for five (5) years, from the time of sale, for the original retail purchaser of the product. This warranty is terminated after five years from the date of purchase, or, when the original retail purchaser sells or otherwise transfers the product to any other person or entity during the five year warranty period.

Subject to the limitations and exclusions described in this warranty, Malone will remedy defects in materials and/or workmanship by repairing or replacing, at its option, a defective product without charge for parts or labor. Malone may elect, at its option, not to repair or replace a defective product but rather issue to the original retail purchaser a refund equal to the purchase price paid for the product, or credit to be used toward the purchase of a replacement Malone product.

This warranty does not cover, and no warranty is given for defects or problems caused by normal wear and tear, which includes, but is not limited to, surface (aesthetic) metal corrosion, scratches, dents, deformities, accidents, unlawful vehicle operation, or any modification of a product not performed or authorized in writing by Malone.

In addition, this warranty does not cover problems resulting from conditions beyond Malone's control including, but not limited to, theft, misuse, overloading, or failure to assemble, mount or use the product in accordance with Malone's written instructions or guidelines included with the product provided to the original retail purchaser.

No warranty is given for Malone products purchased outside of the continental United States, Canada and Mexico.

If the product is believed to be defective, the original retail purchaser should contact the Malone dealer from whom it was purchased, who will give the original retail purchaser instructions on how to proceed. If the original retail purchaser is unable to contact the Malone dealer, or the dealer is not able to remedy the defect, the original retail purchaser should contact Malone by email at support@maloneautoracks.com.

In the event that the product must be returned to Malone, a technician at the email address above will provide the original purchaser with return shipping instructions. The original purchaser will be responsible for the cost of mailing the product to Malone. In order to be eligible to receive any remedy under this warranty, a copy of the original purchase receipt, a description of the defect and a return address must be provided.

Disclaimer of Liability

Repair or replacement of a defective product, or the issue of a refund or credit (as determined by Malone) is the original retail purchaser's sole and exclusive remedy under this warranty. Damage to original purchaser's vehicle, cargo, or property, and/ or to any other person or property is not covered by this warranty.

This warranty is expressly made in lieu of any and all other warranties, express or implied, including the warranties of merchantability and fitness of a particular purpose

Malone's sole liability to any purchaser is limited to the remedy set forth above. In no event will Malone be liable for any direct, indirect, consequential, incidental, special, exemplary, or punitive damages , or, for any other damages of any kind or nature (including but not limited to, lost profits, lost income or lost sales).

Some states do not allow the exclusion or limitation of incidental or consequential damages, so the above limitations may not be applicable.

In addition, all vehicular transports are potentially hazardous. Any person(s) using Malone products are personally responsible for following the given directions for use and/or installation and accepts full responsibility for any and all damages or injury of any kind including death, which may result from their use and/or installation.